



You're shopping  
**CAMBRIDGE, MN** ▾  
Open until 9:00 PM

Home / Building Materials / Roofing / **Roof Ventilation**

# Air Vent 1500 CFM High Efficiency (HE) Roof Mount P

Model Number: 53900 | Menards® SKU: 1476107 | Variation: Weatherwood



Click image for a larger view.  
Hover to zoom in.

Watch Video



EVERYDAY LOW PRICE **\$197.00**  
11% MAIL-IN REBATE **\$21.67** Valid Until 1/12/19

**FINAL PRICE** **\$175<sup>33</sup>** each

**You Save: \$21.67 After Mail-in Rebate**

\* Rebates are provided in the form of a Menards® Merchandise Credit Check valid towards purchases at any Menards® retail store. Not valid for purchases on MENARDS.COM®. [Learn More >](#)

**Variation:**  
Weatherwood

Description ▾ | Specifications ▾

Add to Compare

## Description & Documents

The 1500 CFM High Efficiency (HE) Power Fan utilizes an electronically commutated motor (ECM). This "smart motor" is equipped with temperature and humidity sensors to monitor attic conditions, that will adjust to maximize motor efficiency. The fan starts on a low power mode which reduces wear and tear on the motor which saves the homeowner up to 74% in energy savings.

- Soft start and turns on quiet in low power mode which reduces wear and tear on the motor
- Up to 74% Energy Savings
- ECM motor is three times more efficient than traditional fan motors
- Has on-board computer and sensors attic conditions to maximize the motor efficiency.
- Motor will shut off when temperature is over 180 degrees fahrenheit to reduce fire spread
- Requires a minimum 3/12 roof pitch
- UL Listed

Shipping Dimensions: 25.63 H x 25.37 W x 9.63 D  
Shipping Weight: 18.2 lbs **GET AN 11% REBATE ON EVERYTHING!** Hurry! The 11% Rebate ends in 1 days 12 hours 59 minutes

[Installation Instructions](#)  
[Technical Specifications](#)

To read PDF files, you need the Adobe Acrobat Reader 6.0 or higher. If you don't have it, [click here](#) and download it for free!

## Specifications

**Product Type:** Power Vent

**Mount Type:** Roof

**Color/Finish:** Weatherwood

**Vent Type:** Attic

**Overall Depth:** 24 inch

**Overall Height:** 7.875 inch

**Overall Width:** 23.75 inch

**Rough Opening Height:** 14.5 inch

**Rough Opening Width:** 14.5 inch

**Maximum Air Flow:** 1500 CFM

**Ventilation Area:** 2100 square foot

**Amperage:** 2.16

**Voltage:** 110

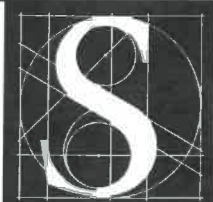
**Special Features:** Variable Speed and humidity sensors monitor attic

**Manufacturer Warranty:** Lifetime Warranty year

## Guests Who Viewed This Item Also Viewed These



GET AN 11% REBATE ON EVERYTHING\*! Hurry! The 11% Rebate ends in 1 days 12 hours 59 minutes



**Sjoquist Architects, Inc.**  
 2800 University Avenue SE, Suite 100  
 Minneapolis, Minnesota 55414  
 612.379.9233 Fax 612.379.9263  
<http://www.sjoquist.com>

I hereby certify that this plan, specification, or report was prepared by me or under my direct supervision and that I am a duly Licensed Architect under the laws of the state of MINNESOTA

Signature \_\_\_\_\_  
 22275  
 Architect / Registration  
 1998, 11, 18  
 Date  
 CLR  
 Drawn CLR  
 Checked

Revisions

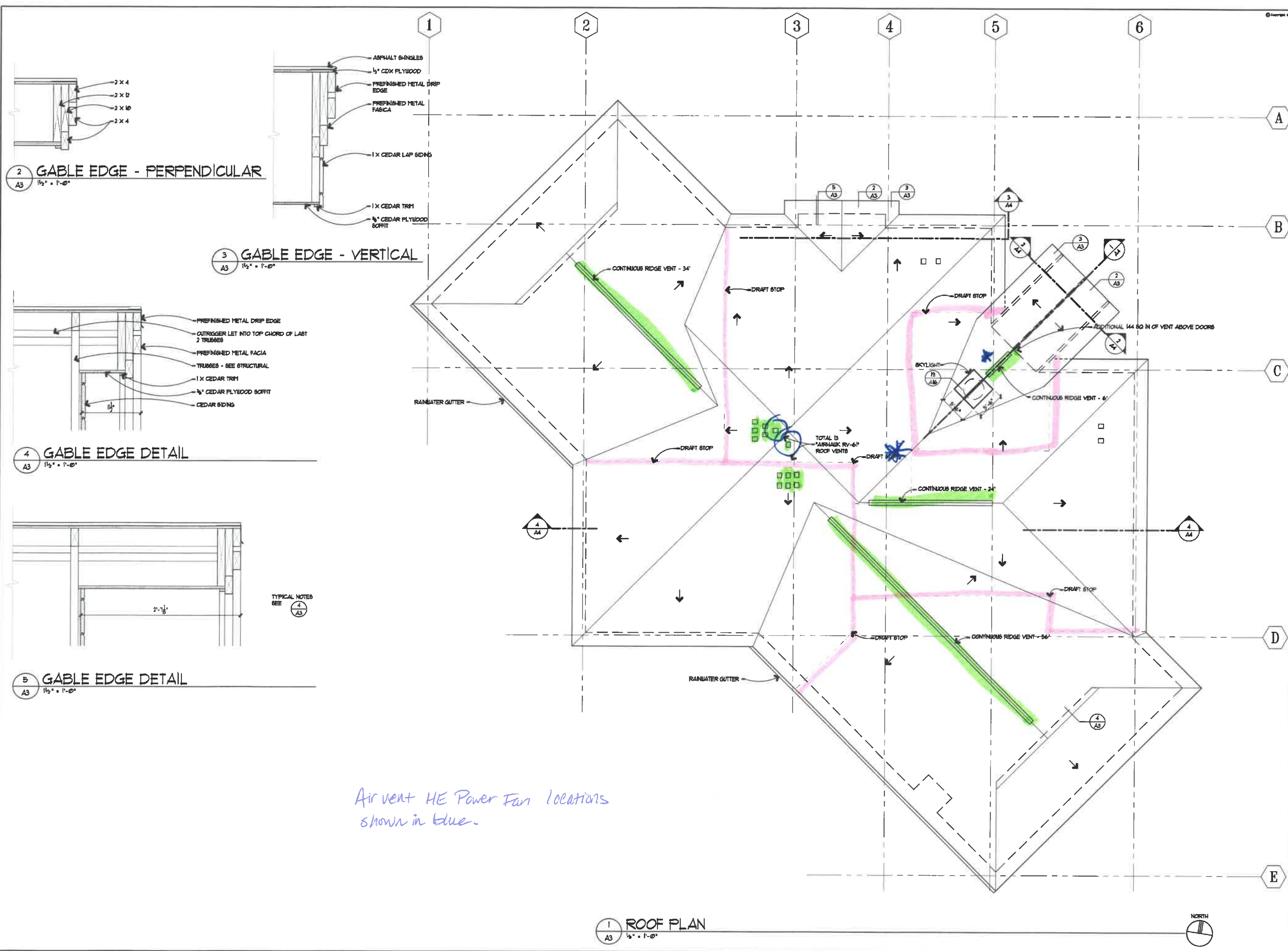
7152  
 Project Number

LAKE  
 LENA  
 CLINIC

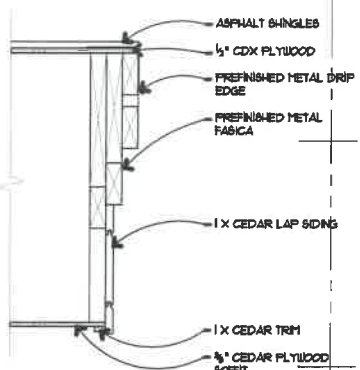
HIGHWAY 173  
 SANDSTONE  
 MINNESOTA

1/8" = 1'-0"  
 ROOF PLAN

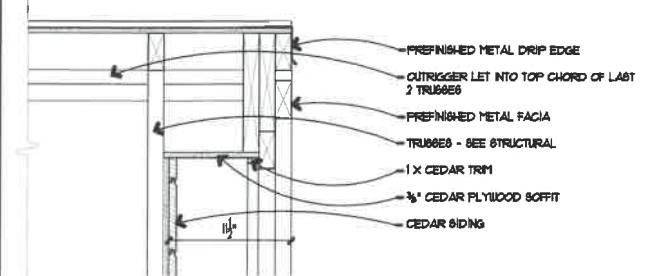
A3



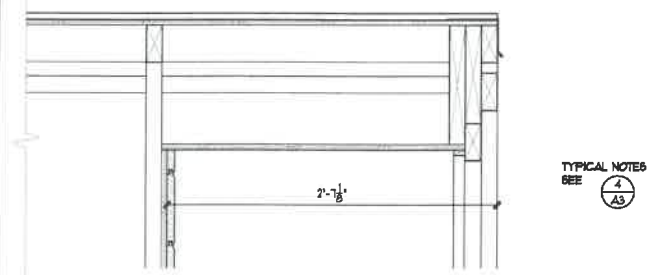
2 GABLE EDGE - PERPENDICULAR  
 1/2" = 1'-0"



3 GABLE EDGE - VERTICAL  
 1/2" = 1'-0"



4 GABLE EDGE DETAIL  
 1/2" = 1'-0"



5 GABLE EDGE DETAIL  
 1/2" = 1'-0"

1 ROOF PLAN  
 1/8" = 1'-0"

Air vent HE Power Fan locations shown in blue.